

SALT & PEPPER SHAKER KIT

Kit Features:

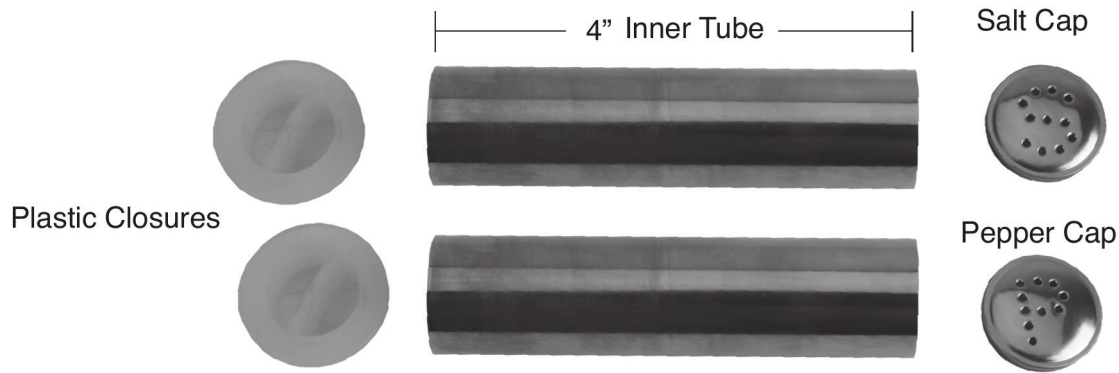
- Food Safe Inner Tube
- Made on a Pen Mandrel
- Minimal Parts--easy to assemble
- Overall Height: 3-1/4"

Required Accessories:

- 7mm Pen Mandrel
- Drill Bit: 1" #FB1 & 1-3/8" #FB138
- Bushing Set(2pc): #PKSANDPBU
- Live Tailstock or Mandrel Saver
- 2 part Epoxy
- Blank Minimum Size: 2" x 2" 4-1/2"L



DIAGRAM A / PARTS LAYOUT



Preparing the Blank:

- Cut blank to a minimum length of 4-1/2" You may wish to add extra length for trimming on the lathe.
- Drill 1-3/8" hole to a depth of 5/16" in one end of the blank.
- Drill 1" hole lengthwise through the blank.

IMPORTANT NOTE: Do not glue the tube into the blank at this time. The tube is glued in after turning is complete.

DIAGRAM B / DRILLING THE BLANK

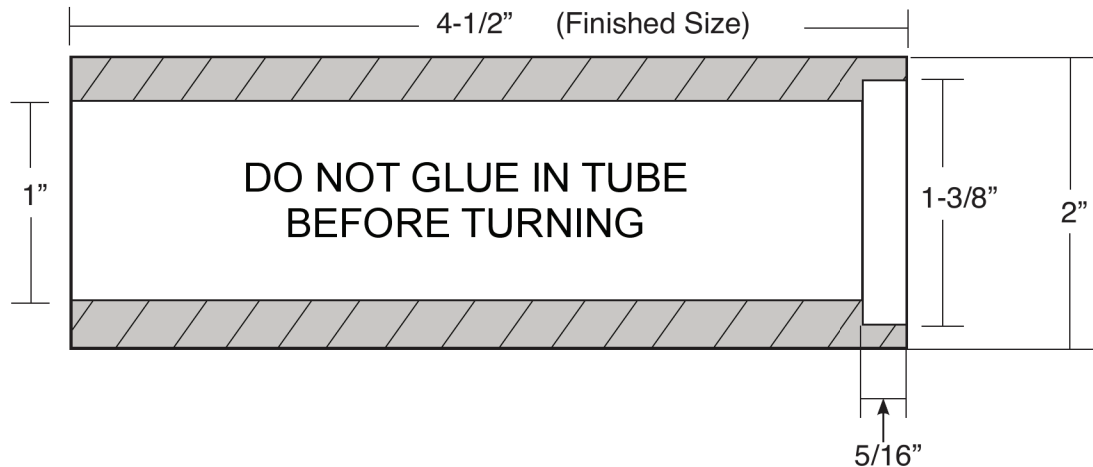
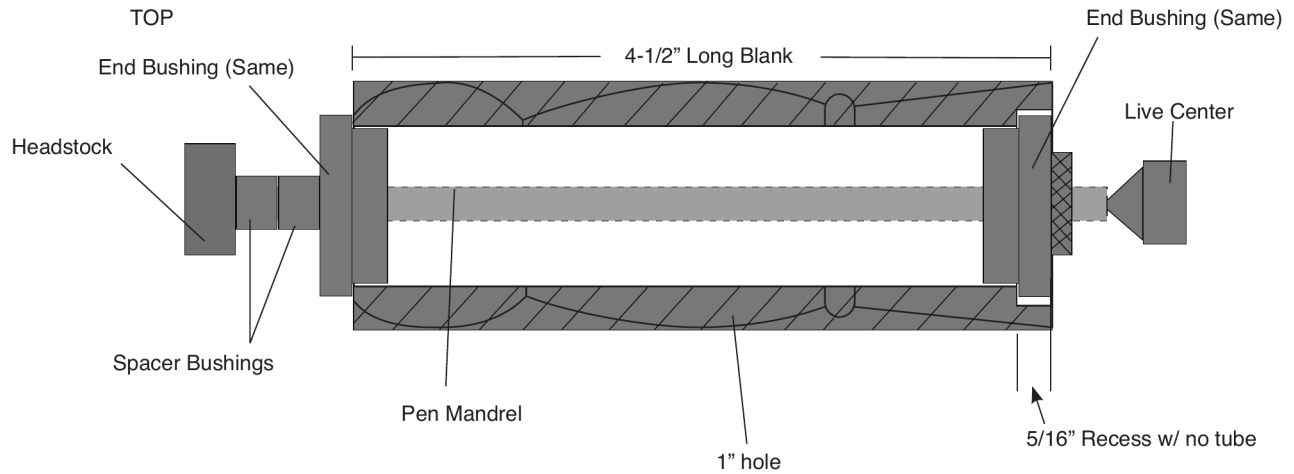


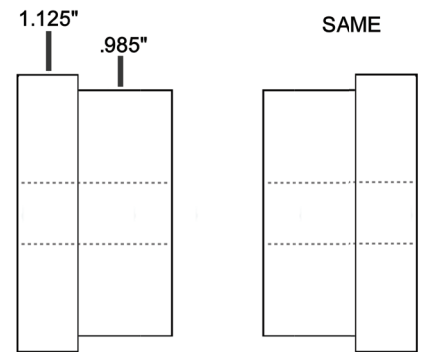
DIAGRAM C / TURNING THE BLANK



Turning the Blank

- Mount the bushings and blanks according to diagram B.
- Thread on the knurled nut and hand tighten to hold all components in place.
- Slide the Tailstock up snugly against the Mandrel shaft, inserting the live center point into the Mandrel dimple. Lock Tailstock.
- Hand tighten the quill adjustment on the tailstock to steady the mandrel. Do not over tighten, it could damage the mandrel shaft.
- When using Mandrel Saver, there is no need for extra spacer bushings or the knurled nut. Slide tailstock directly against bushings and tighten until blank and bushings are secure.
- Using sharp tools, turn the blank down close to the bushing diameter. Turn the barrel straight or to a profile of your choice.
- Sand the blank down to be flush with the bushings, gradually increasing sandpaper grits.
- Finish the barrel using your choice of polish. Allow Sufficient time for the polish to cure—refer to polish instructions.

#PKSANDPBU



Assembly

- Sand the outer tube slightly, use epoxy glue over the surface of the tube and glue inside the turned barrel, flush with the surface of the 1-3/8 inch hole.
- Spread glue around the recess at the opposite end and glue the cap flush to the top. Use oil to protect outer surface.
- When glue dries, fill the container and close with the bottom closure.
- The shaker is ready to use.

