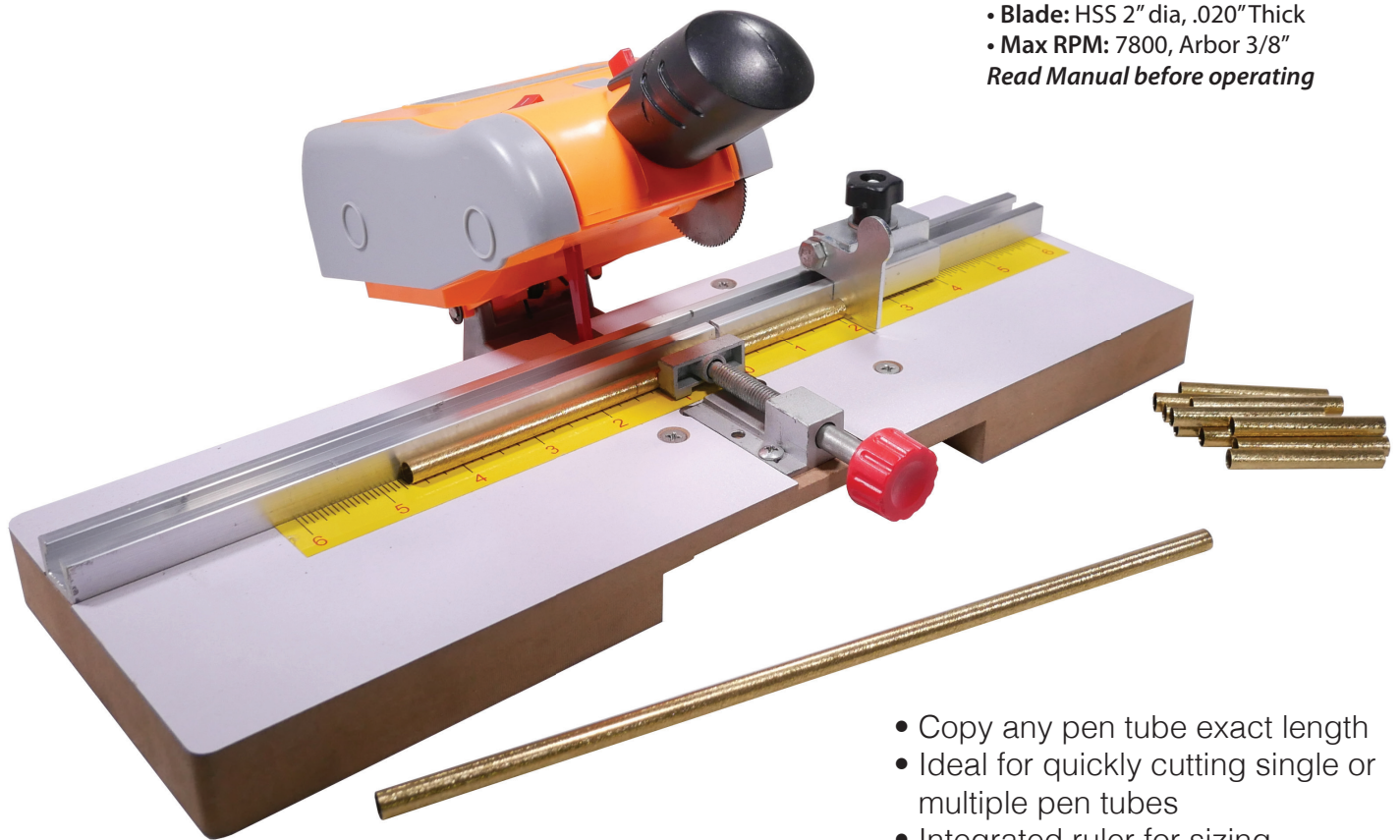


Micro Pen Tube Cut Off Saw

User Manual

SPECIFICATIONS

- Power Source: 110VAC, 60HZ, .9AMP
 - Blade: HSS 2" dia, .020" Thick
 - Max RPM: 7800, Arbor 3/8"
- Read Manual before operating*



- Copy any pen tube exact length
- Ideal for quickly cutting single or multiple pen tubes
- Integrated ruler for sizing

WARRANTY

The Micro Tube Saw and Sizing Jig is engineered and manufactured to the highest standards of quality. You will find this product an essential accessory to your workshop. This saw is warranted against defects in material and workmanship for a period of two years for all components. This warranty applies to the original purchaser of the product and is limited to the repair and/or Replacement of the product, or its parts at the discretion of PSI Woodworking Products. Excluded are parts which have been mis-used, abused, altered, or consumed by normal operation of the saw (i.e. saw blade). Also excluded are direct or consequential damages to persons, properties, or materials. Your invoice serves as proof of purchase and must be referenced to authorize any warranty repair. Call your PSI dealer for proper authorization.



GENERAL & SPECIFIC SAFETY RULES

1. **KEEP GUARDS IN PLACE** and in working order
2. **KEEP WORK AREA CLEAN.** Cluttered areas and benches invite accidents
3. **DON'T USE IN DANGEROUS ENVIRONMENT.** Don't use power tools in damp or wet locations or expose them to rain. Keep work area well lit.
4. **KEEP CHILDREN AWAY.** All visitors should be kept a safe distance from work area.
5. Make Workshop Kid Proof.
6. **DO NOT FORCE TOOL.** It will do a better and safer job at the rate for which it was designed.
7. **USE THE RIGHT TOOL.** Don't force tool to do a job for which it was not designed.
8. **WEAR PROPER APPAREL.** Do not wear loose clothing, gloves, neckties, rings or other jewelry that can get caught in the moving parts. Wear non-slip footwear. Tie back and/or cover long hair.
9. **USE SAFETY GOGGLES OR FACE SHIELD.** Everyday glasses are NOT safety glasses.
10. **USE FACE OR DUST MASK** for operations that generate particulates.
11. **DON'T OVER-REACH.** Keep balance and footing at all times.
12. **MAINTAIN TOOLS.** For best and safest performance keep tools clean, sharp, and lubricated.
13. **DISCONNECT TOOLS BEFORE SERVICING** or changing accessories.
14. **USE RECOMMENDED ACCESSORIES** to avoid risk of injury
15. **NEVER STAND ON TOOL.**
16. **CHECK FOR DAMAGED PARTS.** Before use check for damage and determine if it may interfere with proper operation of tool. Check for binding and alignment. Damaged guards and parts should be properly replaced.
17. **NEVER LEAVE TOOL RUNNING UNATTENDED!** Make sure tool is off and has co

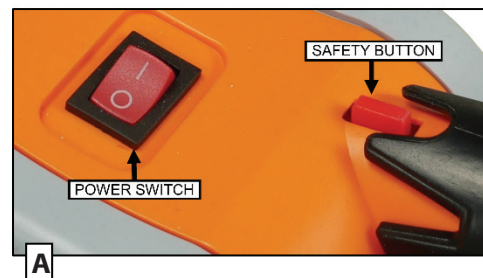
SPECIFIC SAFETY RULES FOR MICRO TUBE CUTOFF SAW Read Manual before Operating Saw

Warning - No adjustments should be made while Saw is in motion.

Warning – Do not use in area where Children may be present

Warning – Do not alter tool to remove Safety Features

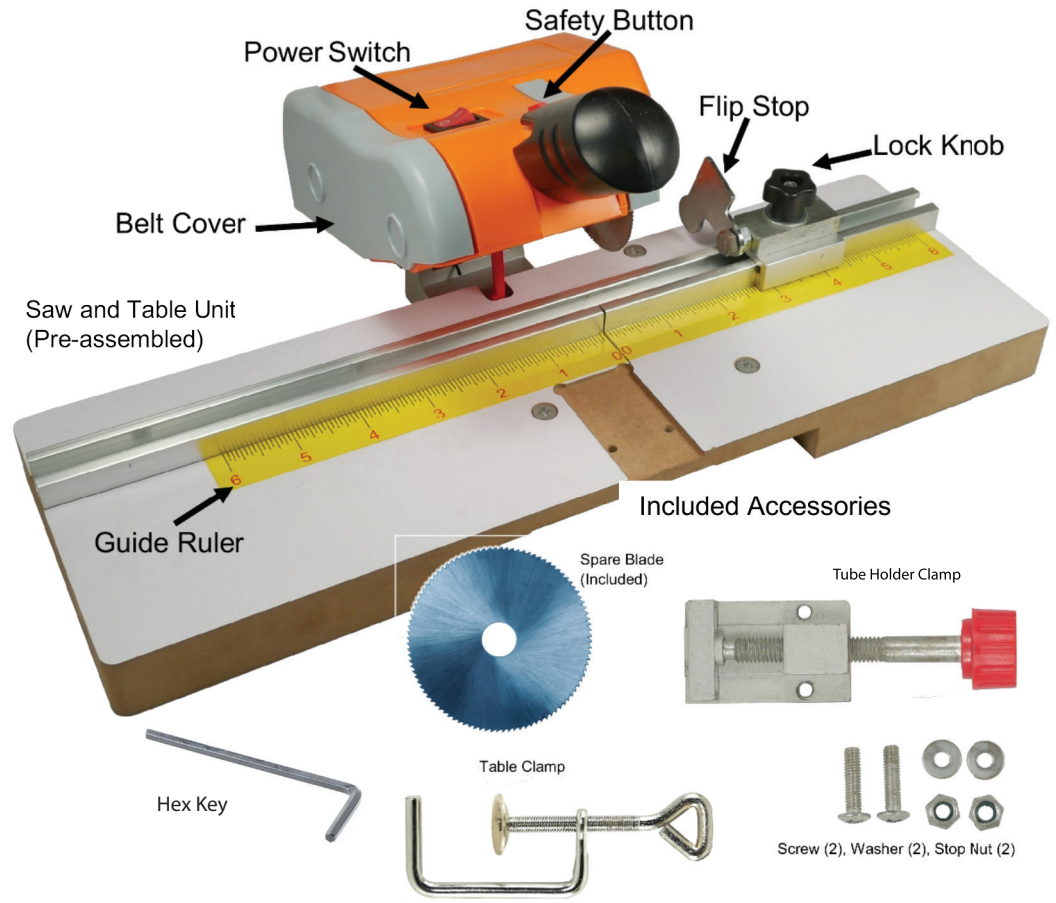
Warning – Only cut pen kit tubes with this saw



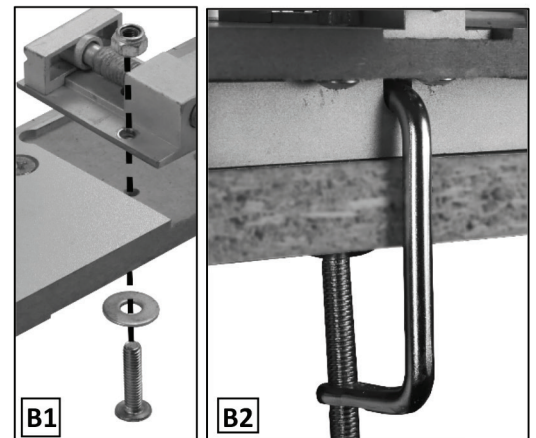
- A) Wear Eye Protection
- B) Do not wear anything that can be caught in the moving parts
- C) Tighten all locks before operating
- D) Do not press Safety Button prior to pressing Power Switch to on (Dia. A) or turn on saw if blade is already lowered.
- E) Keep fingers away from cutting area when saw is powered on
- F) For use with thin-walled, hollow tubes - do not use for wood blanks or solid rods.
- G) Follow operating instructions in the manual when operating Saw
- H) Do not try to hold tube in place by hand.
- I) To prevent unsafe or crooked cuts, tube must be long enough to be gripped solidly by the Tube Holder.

UN BOXING:

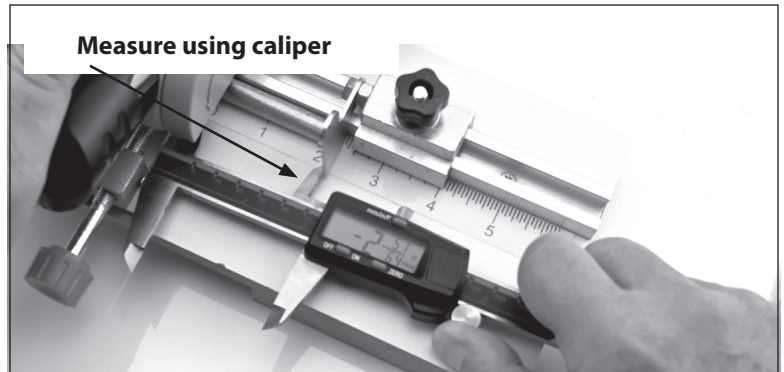
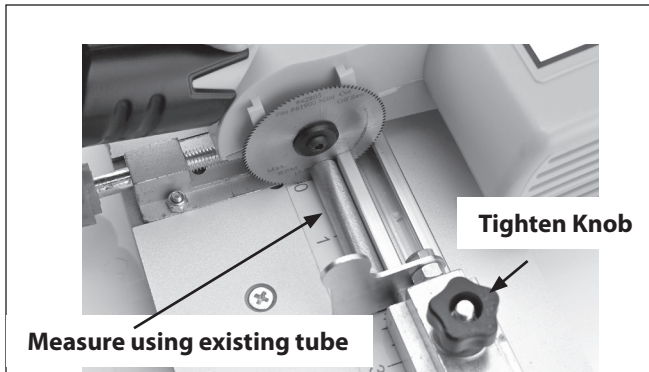
- Saw and Table Unit come pre-assembled. Tube Holder should be attached per Assembly instructions below prior to use. Check contents for accuracy immediately upon receipt.
- Guide Ruler measures from the Blade ascending to the right and left. It can be used for approximate cuts where exact dimensions are not needed or to estimate how many tubes can be cut from remaining length.
- Saw can cut tubes up to 9/16" diameter tubes in a single pass. Larger tubes would have to be turned over for full cuts and may not be as accurate.

**ASSEMBLY:**

To allow space for the Clamp to be attached Bolts should be inserted through Washer and into bottom of table (B1)
 Slide Tube Holder onto the Bolt threads
 Use small wrench or pliers to hold Stopper Nuts while using Phillips screwdriver to tighten the Bolts.
 Clamping to Table:
 Open the clamp (Max. 1-7/8") and slide the top rod into the hole in the front of the saw base (B2).
 Place Saw on the edge of your table or bench and close the Clamp until saw is secure



- Flip Stop can be set using a sample tube, Guide Ruler, or the locked jaws of digital calipers (see pictures below)
- With power off, press Safety Button and lower the Saw Blade down to the table. Place one side of tube or caliper against the Saw Blade. Slide Stop against the other end and turn Knob to lock in place.



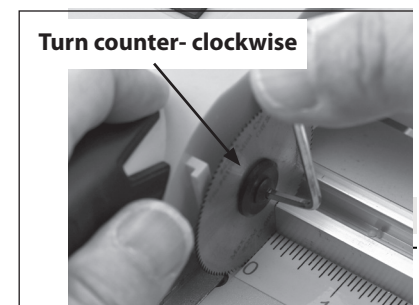
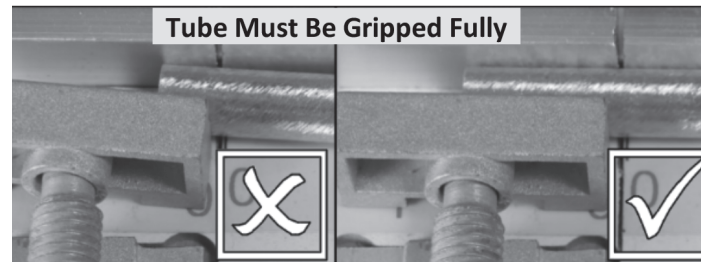
TUBE CUTTING PROCEDURE:

- Slide tube to be cut from the left side of table, align the Saw Blade, and against the Flip Stop.
- Turn Tube Holder Clamp Knob to close Tube Holder against tube just enough to prevent movement – do not crush tube.
- To prevent unsafe or crooked cuts, tube must be long enough to be gripped solidly by the Tube Holder Clamp
- **IMPORTANT!** Raise the Flip Stop before cutting tube – this allows space for tube to separate without being grabbed by the blade.
- Switch power on and push Safety Button.
- For a cleaner cut, lower Saw at slow to moderate rate.
- Lower until Blade cuts completely through the tube into the slot in table.
- Turn off and raise saw before attempting to retrieve the cut length

To cut another matching tube:

- Lower Flip Stop, and release Tube Holder grip on the tube.
- Slide fresh length of tube against the flip stop.
- Tighten Holder, Raise Flip Stop and cut
- Repeat until you have as many tubes as needed.
- Deburr inner opening of the cut tubes using either #BGCAM or #MSDEBURR. Deburr outside edge with sandpaper.

To Change blade: Lift blade cover to expose hex screw and turn counter-clockwise. Blade will spin when loosening, lock it by pushing against object it can't cut, such as a steel nut (shown). New blade installation is reverse of removal. Belt cover on opposite side can be lifted and the belt can be held to keep blade from moving while screw is tightened.



WARNING: Only cut pen tube kits with this saw or warranty will be void

