

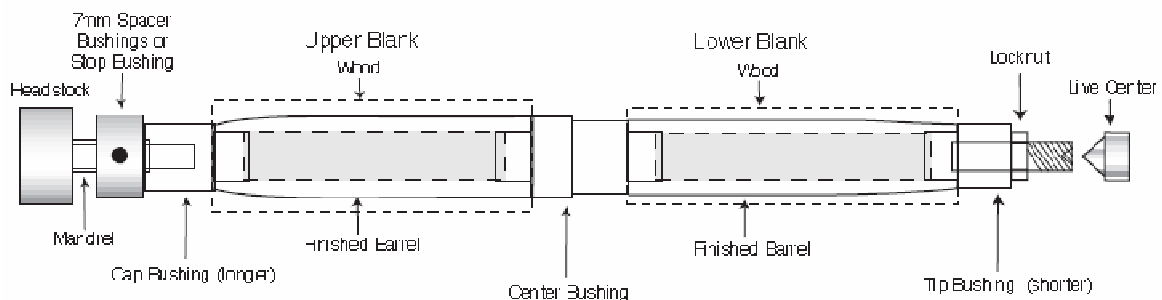
# Cigar Click Pen Kit Instructions

## REQUIRED ACCESSORIES

- 7mm, Long Mandrel.
- Cigar Pen Bushing Set
- 10mm Drill Bit
- 10mm Barrel Trimmer
- 2 Part Epoxy Glue or Insta-Cure (cyanoacrylate).

## PREPARING THE BLANKS

- Cut 3/4" square blank to the length of the brass tube (add 1/16" for squaring off).
- Drill a 10mm center hole, lengthwise through the blanks.
- Spread the glue over the tube. Insert the tube into the blank with a twisting motion to spread the glue evenly inside. Center the tube lengthwise inside the blank.
- When the glue dries, square the ends of the blank. Use a 10mm barrel trimmer or a belt / disc sander to trim the wood down flush to the end of the brass tube.



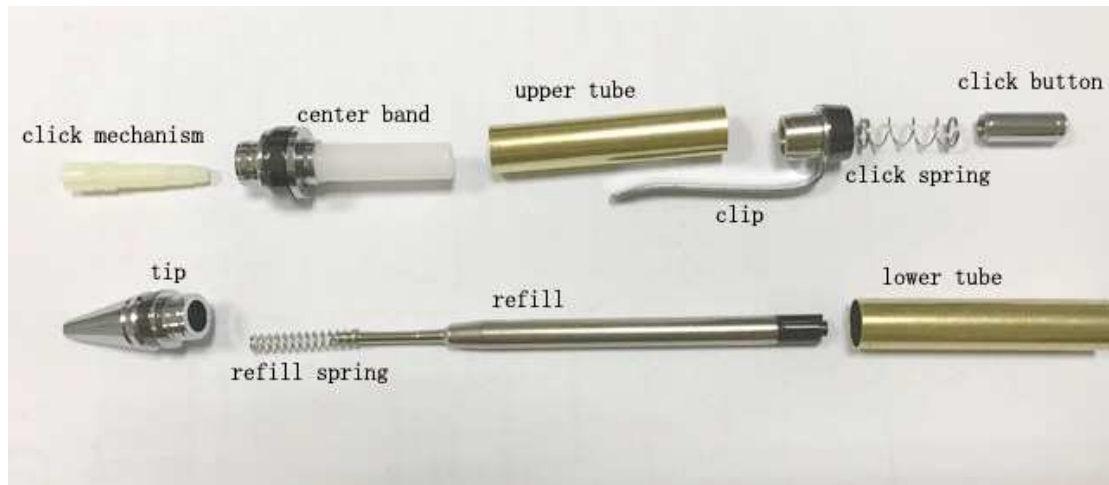
## TURNING THE BLANKS

- Place the stop bushing, or 7mm spacer bushings, onto the mandrel hand tight. Next, place the cap bushing (longer) wide dia. in first, on the mandrel. Slide on the upper blank, (shorter) then place the center bushing (wide dia. first) on the mandrel. Slide on the lower blank (longer) and follow with the tip bushing (shorter). Thread on the lock nut hand tight. Bring the tail stock snug with the mandrel. (Do not overtighten, it could damage the mandrel).

Slide the stop bushing toward the blank, adjusting to remove spaces. Then tighten the set screw, and tighten the lock nut.

- Using a lathe chisel, turn the blank down flush with the bushings. Taper the ends of the blanks (follow Diagram above) to conform with cap and tip bushings.

Finish the blank with gradual higher grits of sand paper and your choice of polish and waxes.



## **PEN ASSEMBLY**

- Press clip assembly into one end of the upper tube.
- Press center band with the white tube into the opposite side of the upper tube.
- Insert the click mechanism into the center band.
- Press the tip into one end of the lower tube
- Place the refill with spring inside the lower tube .
- Engage both barrels. Drop the click spring into the cap. Screw the click button onto the thread and tighten.
- The pen is now ready to use. Just click the button to extend or retract the refill