

# The Anvil EDC Pencil Kit

## Kit Features:

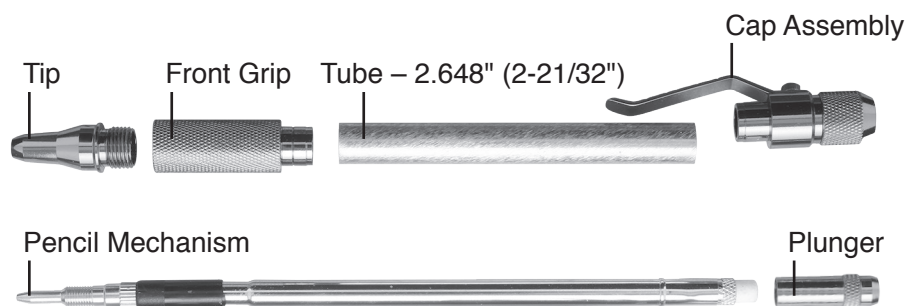
- Makes a Matching set with our Popular Anvil Pen Kit
- Easy Gripping Knurled Parts
- Easy to Turn with Straight Tubes
- Minimal Parts—easy to assemble
- Make with all Anvil Pen accessories
- Available in multiple finishes
- Overall Length: 5-9/16"
- USES REFILL: Standard .7mm pencil lead

## Required Accessories:

- 7mm Pen Mandrel
- Drill Bit: #PK-8MMSG for Plastic or #PKPARK-8MM for wood
- Bushing Set(2 pc): #PKANVBU
- Barrel Trimming set: #PKTRIM8 or 8mm sleeve from PKTRIMSET
- Live Tailstock or Mandrel Saver
- 2 part Epoxy or Thick CA (Cyanoacrylate) Glue
- Pen Blank Minimum Size: 5/8" x 5/8" x 2-11/16"



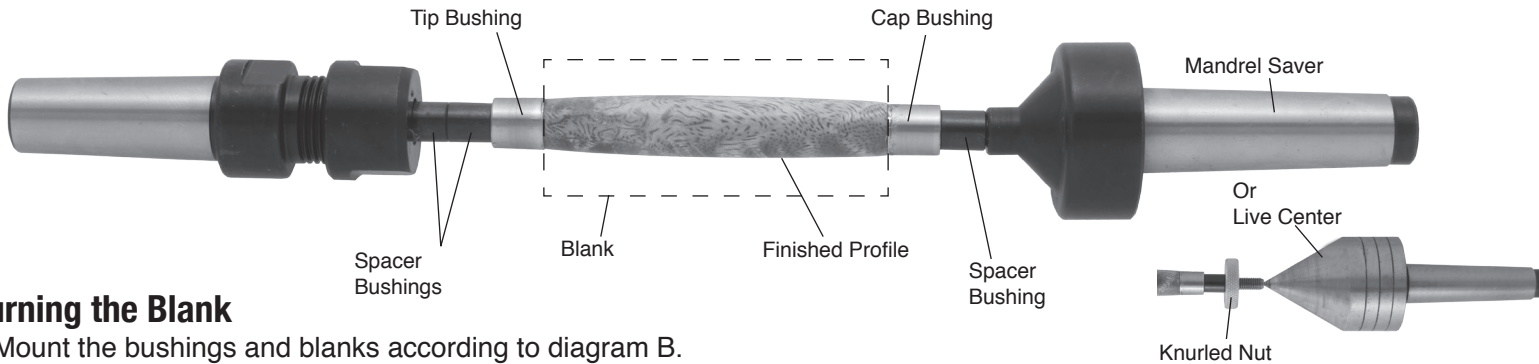
## DIAGRAM A / PARTS LAYOUT



## Preparing the Blank:

- Cut blank to the length of the tube, adding 1/16" for squaring off.
- Drill 8mm hole lengthwise through the blank.
- Spread glue over tube, insert the tube into the blank with a twisting motion to spread the glue evenly inside.
- Center the tube lengthwise inside the blank.
- When the glue is dry, square the ends of the blanks, making sure the trimmed ends are 90° to the tube. Use an 8mm barrel trimmer, or a pen blank squaring jig with an 8mm sleeve on a disc sander. Take the excess material down flush to the ends of the tubes. Do not trim past the end of the tube since this may interfere with the operation of the mechanism and assembly. Use a barrel trimmer to clean the inside of the tube.

## DIAGRAM B / TURNING THE BLANKS



## Turning the Blank

- Mount the bushings and blanks according to diagram B.
- Thread on the knurled nut and hand tighten to hold all components in place.
- Slide the Tailstock up snugly against the Mandrel shaft, inserting the live center point into the Mandrel dimple. Lock Tailstock.
- Hand tighten the quill adjustment on the tailstock to steady the mandrel. Do not over tighten, it could damage the mandrel shaft.
- When using Mandrel Saver, there is no need for extra spacer bushings or the knurled nut. Slide tailstock directly against bushings and tighten until blank and bushings are secure.
- Using sharp tools, turn the blank down close to the bushing diameter. Turn the barrel straight or to a profile of your choice.
- Sand the blank down to be flush with the bushings, gradually increasing sandpaper grits.
- Finish the barrel using your choice of polish. Allow Sufficient time for the polish to cure—refer to polish instructions.

## Assembly

- Press Front Grip into the Smaller end of the Barrel.
- Press Cap Assembly into other end of the Barrel.
- **IMPORTANT: Thread the front of the mechanism into the tip until fully seated.**
- Slide the back of the mechanism through the Front Grip and thread the Tip into the Grip until fully seated.
- Press the Plunger over the eraser until it is fully seated.
- To extend lead, press repeatedly on plunger until lead appears. To retract, press and hold plunger and push lead back into the tip of the mechanism.
- To add lead, pull plunger off the back of mechanism and pull out eraser and holder. Lead can be added into the opening in the back of the mechanism. Push removed parts back into the end of the mechanism after adding lead.

## DIAGRAM C / BUSHINGS #PKANVBU

